

# MICRO SWITCH

FREEMONT ILLINOIS, U.S.A  
A DIVISION OF HONEYWELL

FED. MFG. CODE 91929

# ASSEMBLY - SWITCH

CATALOG LISTING

# 17AC18-T

M 17AC18-T

DRAWING NUMBER

ISSUE 3

REVISIONS

A 0024376

RER 9 JUL 68

B 0045748

MBH 07NOV08

DRAWN

OMW 27 MAY 68

CHECK LSD 11 JUN 68

CHECK JMS

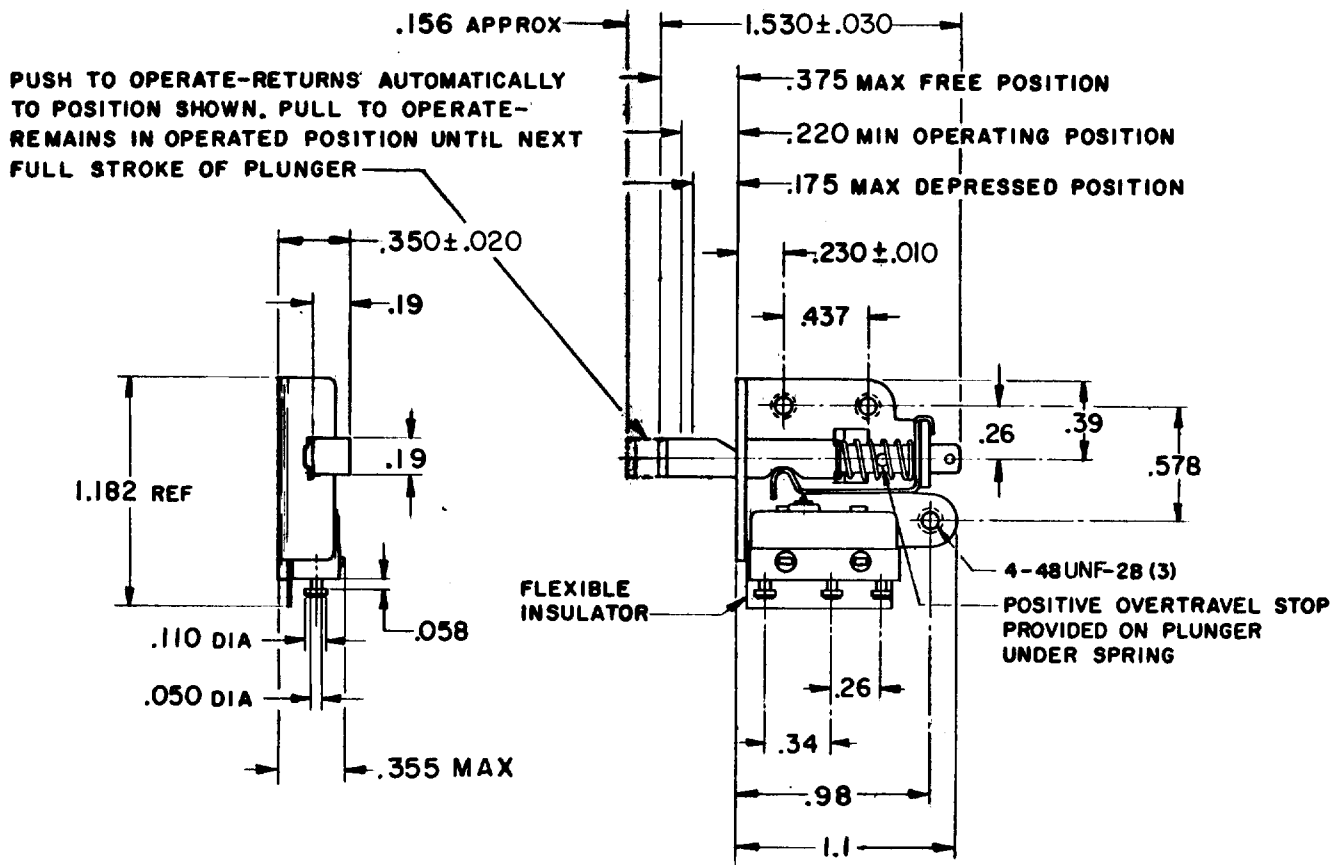
CHECK

RS

07NOV08

RELEASE NO. PR-152

REPLACES



PUSH TO OPERATE-RETURNS AUTOMATICALLY TO POSITION SHOWN. PULL TO OPERATE-REMAINS IN OPERATED POSITION UNTIL NEXT FULL STROKE OF PLUNGER

NOTE -  
1- UNIT INCLUDES CAT. LIST. 11SM357-T BASIC SWITCH (1)  
2-NOTCH IN ACTUATOR PLUNGER WILL PERMIT .045 MAX DISPLACEMENT BETWEEN END OF PLUNGER AND HOLE IN BRACKET

RASTER

THIS DRAWING COVERS A PROPRIETARY ITEM AND IS THE PROPERTY OF MICRO SWITCH, A DIVISION OF HONEYWELL. THIS DRAWING IS NOT TO BE COPIED OR USED WITHOUT THE APPROVAL OF MICRO SWITCH.

CHARACTERISTICS	ELECTRICAL DATA	SCALE
TOTAL TRAVEL .156 APPROX PUSH DIRECTION .156 APPROX PULL DIRECTION FULL OVERTRAVEL --- 2 LB APPROX	CONTACT ARRANGEMENT S P D T 250 VAC --- 5 AMP 30 VOLTS DC RATING INDUCTIVE --- SEA LEVEL --- 3 AMP 50,000 FT --- 2.5 AMP RESISTIVE --- SEA LEVEL --- 5 AMP 50,000 FT --- 5 AMP MAXIMUM INRUSH --- 24 AMP	DO NOT SCALE PRINT UNLESS OTHERWISE NOTED DIMENSIONS ARE IN INCHES TOLERANCES ARE: ONE PLACE (.0) ± .030 TWO PLACE (.00) ± .015 THREE PLACE (.000) ± .005 ANGLES ± WEIGHT .02 LB APPROX

FO-50378-1A